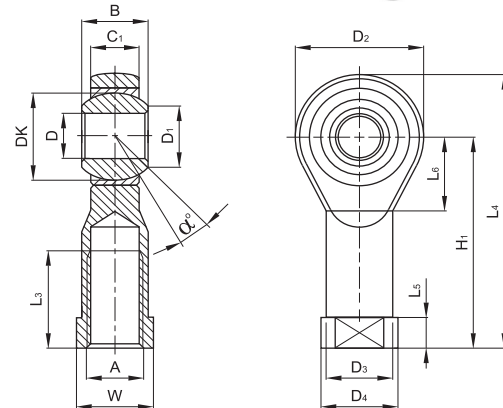


## Articulated Self-Lubricating Fork,

DIN ISO 12240-4 Series K,  
Thread ISO 8139 (Cetop) female thread

Treatment: White zinc coating  
Temperature range: -30 ... + 120 °C  
Dimensions: In millimeters



### Materials:

Body	Up to dimension 12 automatic steel From dimension 14 forged hardening steel
Outer race	Sintered bronze
Ball	Bearing steel, hardened, grinded and polished

Type	Art. No.	Piston Ø (mm)	A	B <sub>0</sub> -0.12	C <sub>1</sub>	D <sub>H7</sub>	D <sub>1</sub>	D <sub>2</sub>	D <sub>3</sub>	D <sub>4</sub>
AFC-M4	116802	8/10	M4	8	6	5	7.7	18	9	11
AFC-M6	116804	12/16	M6	9	6.75	6	8.9	20	10	13
AFC-M8	116807	20	M8	12	9	8	10.4	24	12.5	16
AFC-M10X1.25	116810	25/32	M10X1.25	14	10.5	10	12.9	28	15	19
AFC-M12X1.25	116813	40	M12X1.25	16	12	12	15.4	32	17.5	22
AFC-M16X1.5	116816	50/63	M16X1.5	21	15	16	19.3	42	22	27
AFC-M20X1.5	116819	80/100	M20X1.5	25	18	20	24.3	50	27.5	34
AFC-M27X2	116822	125	M27X2	37	25	30	34.8	70	40	50
AFC-M36X2	116824	160/200	M36X2	43	28	35	37.7	80	46	58

Type	Art. No.	DK	H <sub>1</sub>	L <sub>3</sub>	L <sub>4</sub>	L <sub>5</sub>	L <sub>6</sub>	W	Static load of the rod end co (daN)	Angular compensation α°	Weight (g)
AFC-M4	116802	11.11	27	10	36	4	10	9	600	13	20
AFC-M6	116804	12.70	30	12	40	5	11	11	700	13	25
AFC-M8	116807	15.87	36	16	48	5	13	14	1200	14	46
AFC-M10X1.25	116810	19.05	43	20	57	6.5	15	17	1400	13	75
AFC-M12X1.25	116813	22.22	50	22	66	6.5	17	19	1900	13	112
AFC-M16X1.5	116816	28.57	64	28	85	8	23	22	4800	15	222
AFC-M20X1.5	116819	34.92	77	33	102	10	27	30	5200	14	406
AFC-M27X2	116822	50.80	110	51	145	15	36	41	10800	17	1,119
AFC-M36X2	116824	57.15	125	56	165	17	41	50	12400	19	1,595