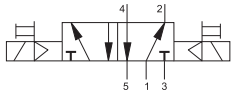


Double Solenoid Valve, With manual override



Function:

When the coil is energized individually, internal pilot pressure actuates the spool of the valve and retains its position, even the coil is de-energized.

These valves can either be used inline as on manifold.



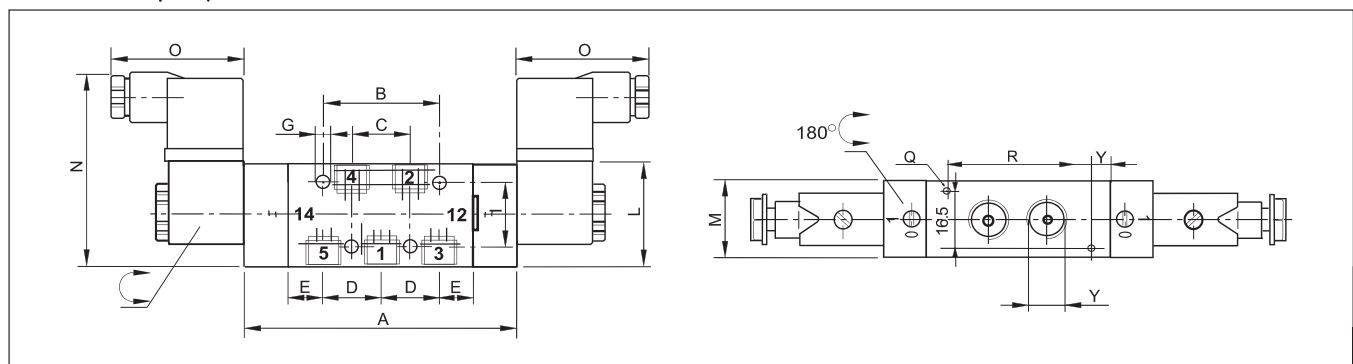
Technical Data:

Type	PDMV-5-1/8-B	PDMV-5-1/4-B	PDMV-5-1/2-B
Art. no.	204221	204222	204223
Connection	G1/8	G1/4	G1/2
Valve function	5/2 way		
Design	Piston spool		
Type of mounting	Via through-holes		
Norminal dia (mm)	5	7	12
Std. nominal flow rate (l/min)	650	1250	3000
Operating medium	Filtered compressed air, lubricated or unlubricated		
Operating pressure range	2...10 bar	2...10 bar	1...10 bar
Temperature range	-10...+60 °C		
Operating voltage	12, 24, 48, V DC; 24,110, 230 (50...60 Hz) VAC		
Power consumption	DC voltage 3 W; AC voltage 5 VA		
Protection class	IP 65		
Materials	Body: Wrought aluminium alloy, anodised; Seals: Nitrile rubber		
Weight (g)	330	350	840

Note: For magnetic coils see sheet 4.6.1.

For manifold see sheet #

Dimensions (mm):



Connection (Y)	A	B	C	D	E	G	I	L	M	N	O	P	Q	R
G1/8	92	36	18	18	12	4.5	25	36	22	65	48	16.5	3.3	50
G1/4	112	44	22	22	18	5.5	36	50	30	72	48	16.5	3.3	56
G1/2	146	64	32	32	25	6.6	40	60	30	78	48	20	M5	88