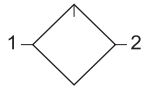


**Airline Lubricator**



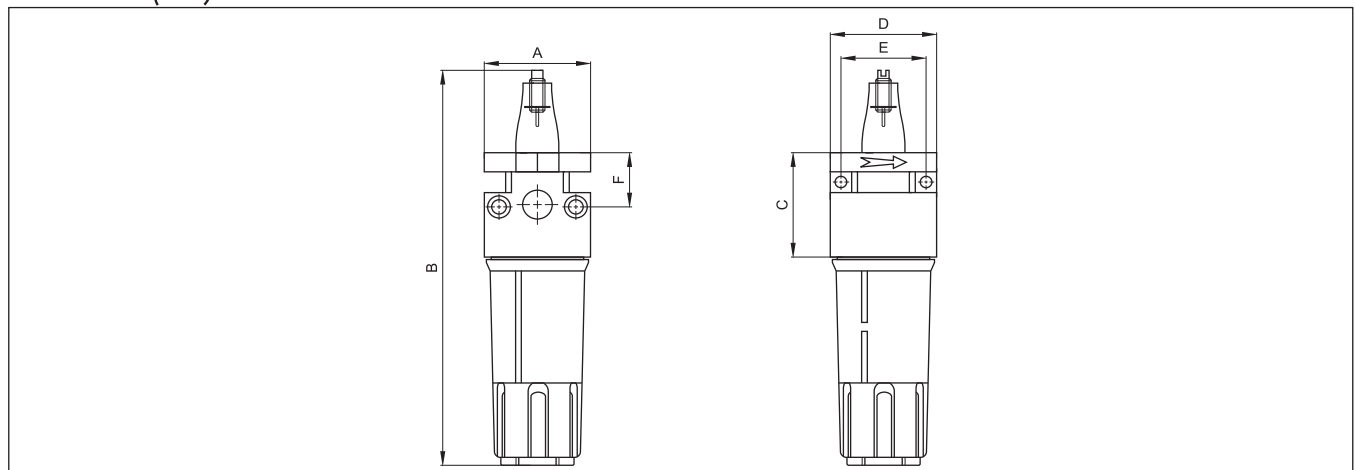
**Function:**

These Lubricators are used to lubricate the compressed air.

**Technical Data:**

Type	APL-1/4	APL-3/8	APL-1/2	APL-3/4	APL-1
Art. No.	121204	121214	121224	121234	121244
Connection	G1/4	G3/8	G1/2	G3/4	G1
Flow rate at 6 bar (Nl/min)	1150	4300	4300	9600	9600
Fluid	Compressed air				
Design	Direct constant density lubricator				
Mounting	Through holes, vertical				
Lubrication adjustment	By micrometer screw				
Pressure range	Max. 18 bar				
Temperature range	Max. 50 °C				
Body	Zn+Al+Mg alloy, enamel painted				
Weight (g)	400	900	900	1,900	1,900

**Dimensions (mm):**



Type	A	B	C	D	E	F
APL-1/4	42	155	42	42	32	21
APL-3/8	60	193	60	60	46	30
APL-1/2	60	193	60	60	46	30
APL-3/4	80	270	80	80	66	40
APL-1	80	270	80	80	66	40

Subject to change