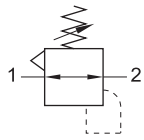


## Airline Regulator



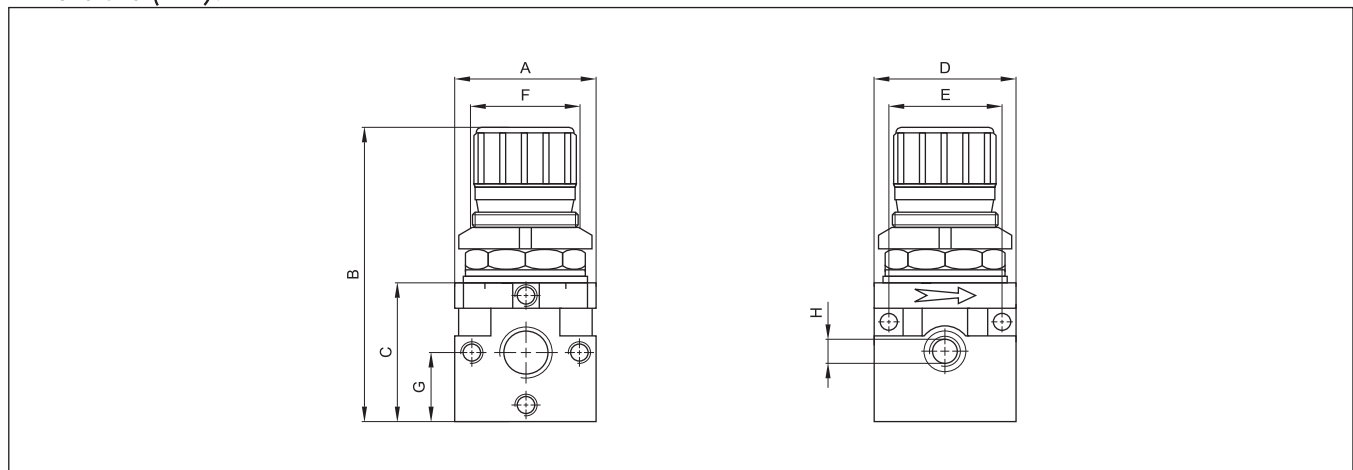
**Function:**

These regulators are used to adjust the compressed air pressure.

**Technical Data:**

Type	APR-1/4	APR-3/8	APR-1/2	APR-3/4	APR-1
Art. No.	121203	121213	121223	121233	121243
Connection	G1/4	G3/8	G1/2	G3/4	G1
Flow rate at 6 bar (NI/min)	700	2600	2600	4600	4600
Fluid	Compressed air				
Design	Piston regulator				
Mounting	Wall clamp screws/any position				
Pressure range	Max. 18 bar				
Regulation range	0...12 bar				
Temperature range	Max. 50 °C				
Body	Zn+Al+Mg alloy, enamel painted				
Weight (g)	300	800	800	2,200	2,200

**Dimensions (mm):**



Type	A	B	C	D	E	F	G	H
APR-1/4	42	85	42	42	32	30 x 1,5	21	1/8"
APR-3/8	60	119	60	60	46	38 x 2	30	1/8"
APR-1/2	60	119	60	60	46	38 x 2	30	1/8"
APR-3/4	80	169	80	80	66	55 x 2	40	1/4"
APR-1	80	169	80	80	66	55 x 2	40	1/4"