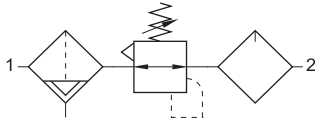


**Air Service Unit,
Automatic drain**



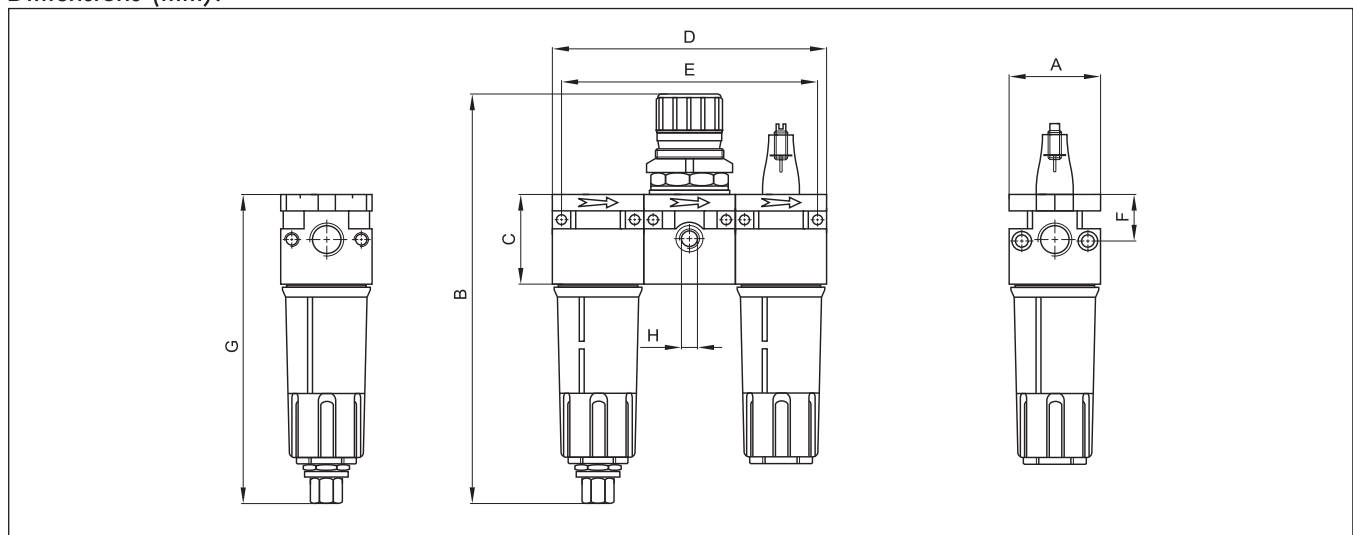
Function:

These service units (FRL) are used to purify, regulate & lubricate the compressed air.

Technical Data:

Type	APS-1/4-A	APS-3/8-A	APS-1/2-A	APS-3/4-A	APS-1-A
Art. No.	121210	121220	121230	121240	121250
Connection	G1/4	G3/8	G1/2	G3/4	G1
Flow rate at 6 bar (NI/min)	1750	4200	4200	9100	9100
Cup capacity (cm ³)	13	47	47	175	175
Fluid	Compressed air				
Design	Sintered filter, automatic drain, piston regulator, direct constant density lubricator				
Mounting	Through holes, vertical				
Lubrication adjustment	By micrometer screw				
Filtration	32 micron standard, 5 micron (on request)				
Pressure range	Max. 18 bar				
Regulation pressure	0...12 bar				
Temperature range	Max. 50 °C				
Body	Zn+Al+Mg alloy, enamel painted				
Weight (g)	1,000	2,500	2,500	5,800	5,800

Dimensions (mm):



Type	A	B	C	D	E	F	G	H
APS-1/4	42	180	42	126	116	42	145	1/8"
APS-3/8	60	240	60	180	166	60	180	1/8"
APS-1/2	60	240	60	180	166	60	180	1/8"
APS-3/4	80	325	80	240	226	80	240	1/4"
APS-1	80	325	80	240	226	80	240	1/4"