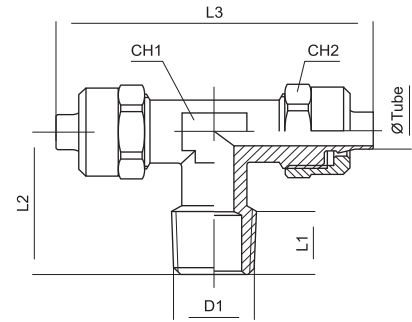
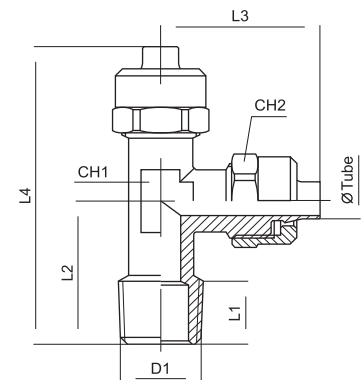


Male Thread Branch Tee,
Taper thread



Type	Art. No.	Connection (D1)	Tube (mm)		Weight (g)	Dimensions (mm)				
			ID	OD		L1	L2	L3	CH1	CH2
CBT-1/8-6	98147	1/8"	4	6	27	7,5	17	44	9	12
CBT-1/4-6	98199	1/4"	4	6	29	11	21	44	9	12
CBT-1/8-8	98171	1/8"	6	8	37	7,5	20,5	49	12	14
CBT-1/4-8	981123	1/4"	6	8	41	11	23	49	12	14
CBT-1/4-10	981147	1/4"	8	10	48	11	23	54	12	16
CBT-3/8-10	981187	3/8"	8	10	50	11,5	24,5	54	12	16
CBT-3/8-12	981204	3/8"	10	12	75	11,5	26,5	61	14	19
CBT-1/2-12	981225	1/2"	10	12	100	14	30	68	17	19

Male Thread Run Tee,
Taper thread



Type	Art. No.	Connection (D1)	Tube (mm)		Weight (g)	Dimensions (mm)					
			ID	OD		L1	L2	L3	L4	CH1	CH2
CRT-1/8-6	98151	1/8"	4	6	26	7,5	17	22	39	9	12
CRT-1/4-6	981103	1/4"	4	6	30	11	21	22	43	9	12
CRT-1/8-8	98175	1/8"	6	8	38	7,5	20,5	24,5	45	12	14
CRT-1/4-8	981121	1/4"	6	8	41	11	23	24,5	47,5	12	14
CRT-1/4-10	981151	1/4"	8	10	48	11	24	27	51	12	16
CRT-3/8-10	981191	3/8"	8	10	52	11,5	24,5	27	51,5	12	16
CRT-3/8-12	981207	3/8"	10	12	74	11,5	26,5	30,5	57	14	19
CRT-1/2-12	981228	1/2"	10	12	100	14	30	34	64	17	19