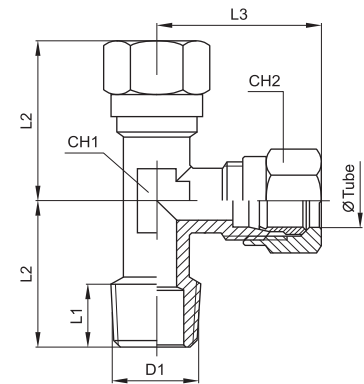
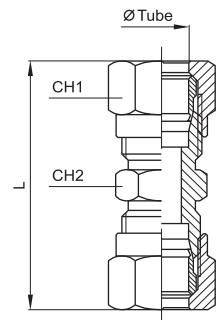


Male Run Tee,
Taper thread



Type	Art. No.	Connection (D1)	Tube OD (mm)	Weight (g)	Dimensions (mm)				
					L1	L2	L3	CH1	CH2
FRT-1/8-4	98129	1/8"	4	23	8	17	22	7	10
FRT-1/8-6	98152	1/8"	6	26	8	17	23	9	12
FRT-1/4-6	981104	1/4"	6	29	12	21	23	9	12
FRT-1/8-8	98176	1/8"	8	38	8	20	25	12	14
FRT-1/4-8	981128	1/4"	8	42	12	23	25	12	14
FRT-1/4-10	981152	1/4"	10	88	12	25	33	14	19
FRT-3/8-10	981192	3/8"	10	94	12	27	33	14	19
FRT-3/8-12	981208	3/8"	12	122	12	28	35	17	22
FRT-1/2-12	981229	1/2"	12	132	14	30	35	17	22

Union Connector,
Taper thread



Type	Art. No.	Tube OD (mm)	Weight (g)	Dimensions (mm)		
				L	CH1	CH2
FUC-4	981240	4	12	36	10	9
FUC-6	981254	6	21	36	12	11
FUC-8	981272	8	28	38	14	12
FUC-10	981290	10	70	48	19	17
FUC-12	981306	12	89	50	22	19